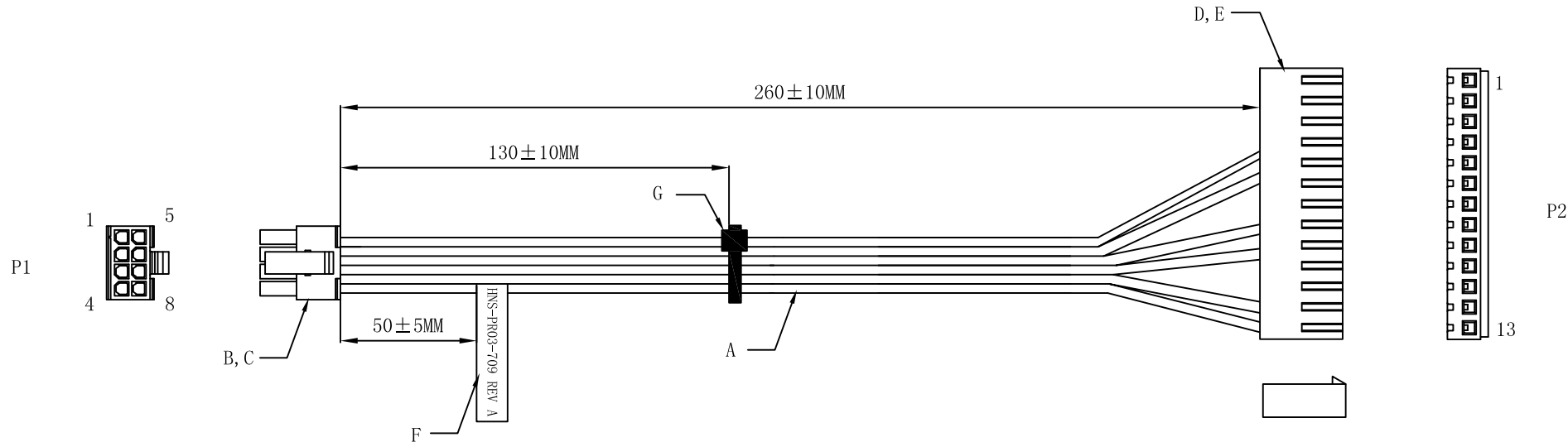


RoHS

Version No.	Modification	Date
A		



1. 100% open & short & miswire testing
2. All material are RoHS compliant

PIN WIRING

P1, 2	BLACK	P2, 8
P1, 3	BLACK	P2, 9
P1, 6	RED	P2, 4
P1, 7	RED	P2, 5
P1, 1	YELLOW	P2, 1
P1, 5	YELLOW	P2, 2

APPROVED

Ecocables Electronics Co., Ltd
www.ecocables.net

G	TIE	CABLE TIE BLACK	1PCS	
F	LABEL	WHITE GROUND BLACK CHARACTER 55*10mm HNS-PR03-709 REV A	1PCS	
E	TERMINAL	MLX0008500106 MLX3. 96-T(equivalent)	6PCS	
D	HOUSING	MLX009503051 MLX3. 96-13P(equivalent)	1PCS	
C	TERMINAL	MLX0430300007 MLX3. 0-T(equivalent)	6PCS	
B	HOUSING	MLX43025-0800 MLX3. 0-2*4P(equivalent)	1PCS	
A	WIRE	UL1007 22AWG (7/0.16TS) OD:1.6 RED*2, YELLOW*2, BLACK*2	1PCS	
NO.	Product name	Specification	Q' TY	Remark

Customer		Customer No.	HNS-PR03-709	Product name	
Material name	Approved		Tim. Z		
Unit	Scale	Free	Checked	Daivd.L	Revision date
mm			Drawn by	Percy.F	Drawn date
					Feb 11, 2017