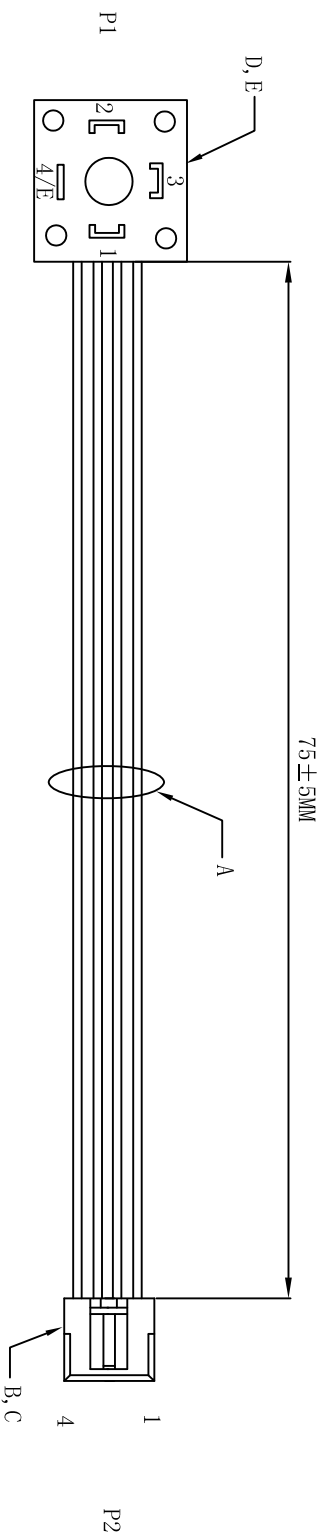


RoHS

Version No.	Modification	Date
A		



PIN WIRING

P1, 1	BROWN	P2, 1
P1, 2	RED	P2, 2
P1, 3	ORANGE	P2, 3
P1, 4	YELLOW	P2, 4

E	TUBE	HEAT SHRINK TUBE COLOR BLACK	4PCS	
D	CONNECTOR	GSA-U-3000 N L0	1PCS	
C	TERMINAL	JST VH3, 96-T (equivalent)	4PCS	
B	HOUSING	JST VH3, 96-4P (equivalent)	1PCS	
A	WIRE	UL1007 20AWG(21/0.17875)OD1.8MM BROWN*1 RED*1 ORANGE*1 YELLOW*1	1PCS	
NO.	Product name	Specification	Q' TY	Remark



Eccocables Electronics Co., Ltd
www.eccocables.net

Customer		Customer No.		Product name	
Material name	Unit	Scale	Free	Approved	Tim. Z
mm				Checked by	Revision date
				Drawn by	Drawn date
				Percy. F	Jun 22, 2017