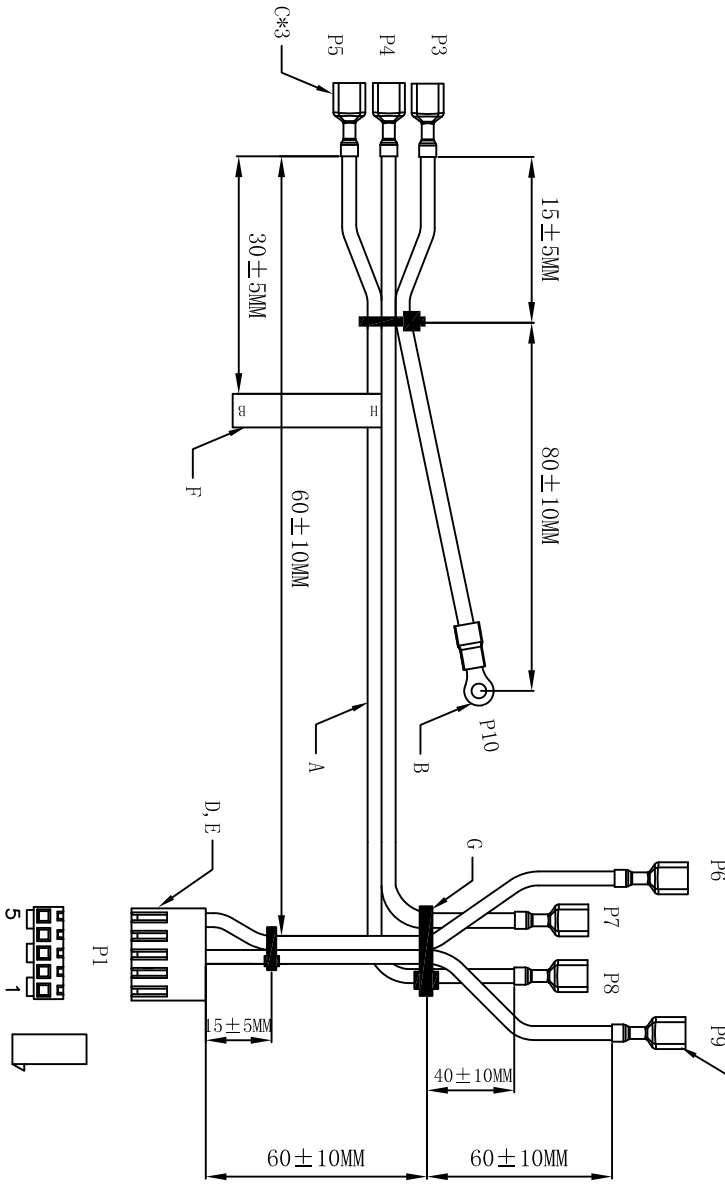


RoHS

Version No.	Modification	Date
B	1/ changed to version B from A 2/ changed pinout	May 31, 2017



PIN WIRING

P3	GREEN/YELLOW	P10
P4	BLUE	P7
P5	BROWN	P8
P6	BROWN	P1, 5
P9	BLUE	P1, 3


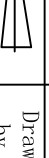
1. 100% open & short & miswire testing
2. All material are RoHS compliant

NO.	Product name	Specification	Q'TY	Remark
1	1	2	3	4

G	TIE	CABLE TIE BLACK	3PCS	
F	LABEL	WHITE GROUND BLACK CHARACTER 55*10mm HNS-PR03-708 REV B	1PCS	
E	TERMINAL	MLX0008500106 MLX3. 96-T (equivalent)	2PCS	
D	HOUSING	MLX009503051 MLX3. 96-5P (equivalent)	1PCS	
C	TERMINAL	1/4" RED fully-insulated 6. 35*0. 8 (female) (PVC)	7PCS	
B	TERMINAL	MLX190700086 #8 4. 3*8. 0 RED (equivalent)	1PCS	VR1-4L
A	WIRE	UL1007 18AWG(34/0. 18TS) OD:2. 1 GREEN/YELLOW*1, BLUE*2, BROWN*2	1PCS	



Eccocables Electronics Co., Ltd
www.eccocables.net

Customer name	Customer No.	Customer No.	Approved	Tim. Z	Product name
Unit	Scale	Free	Checked	Daivid. L	Revision date
mm			Drawn by	Percy. F	Drawn date
					May 31, 2017