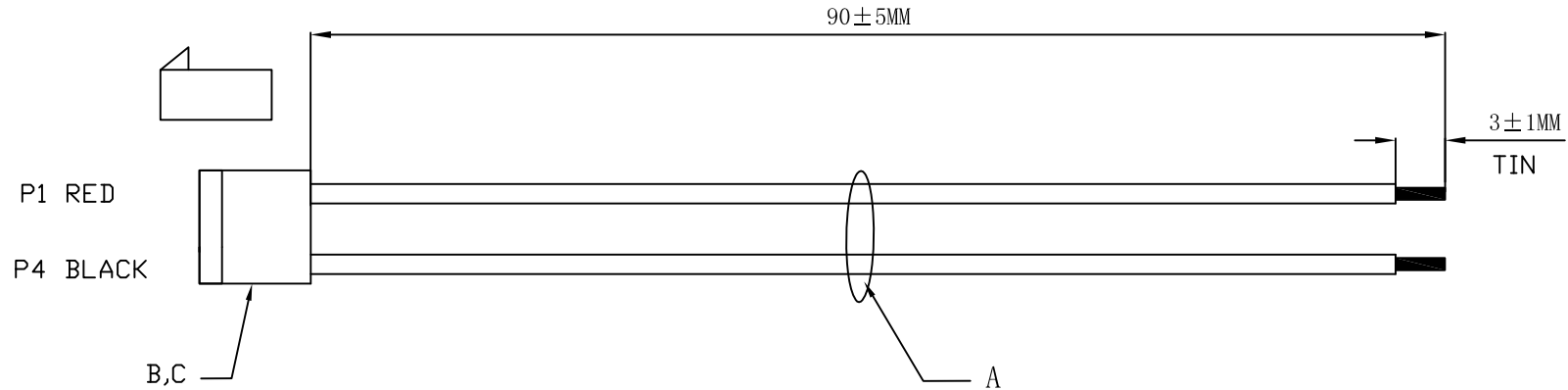


# RoHS

|             |              |      |
|-------------|--------------|------|
| Version No. | Modification | Date |
| A           |              |      |



- 1. 100% open & short & miswire testing
- 2. All material are ROHS compliant



**Ecocables Electronics Co.,Ltd**  
www.ecocables.net

|     |              |  |       |        |
|-----|--------------|--|-------|--------|
| C   | HOUSING      | 09-50-3041 MLX3.96-4P (equivalent)               | 1PCS  |        |
| B   | TERMINAL     | 08-50-0106 MLX3.96-T (equivalent)                | 2PCS  |        |
| A   | WIRE         | UL1213 22AWG(19/0.16TS)ØD 1.3MM<br>RED*1 BLACK*1 | 1PCS  |        |
| NO. | Product name | Specification                                    | Q' TY | Remark |

|               |       |              |          |               |             |
|---------------|-------|--------------|----------|---------------|-------------|
| Customer      |       | Customer No. | W4-SMPS1 | Product name  |             |
| Material name |       | Approved     | Tim. Z   | Revision date | Jul 06,2016 |
| Unit          | Scale | Free         | Checked  | Daivd.L       | Drawn date  |
| mm            |       | Drawn by     | Percy.F  | Drawn date    | Sep 05,2015 |

1

2

3

4

5