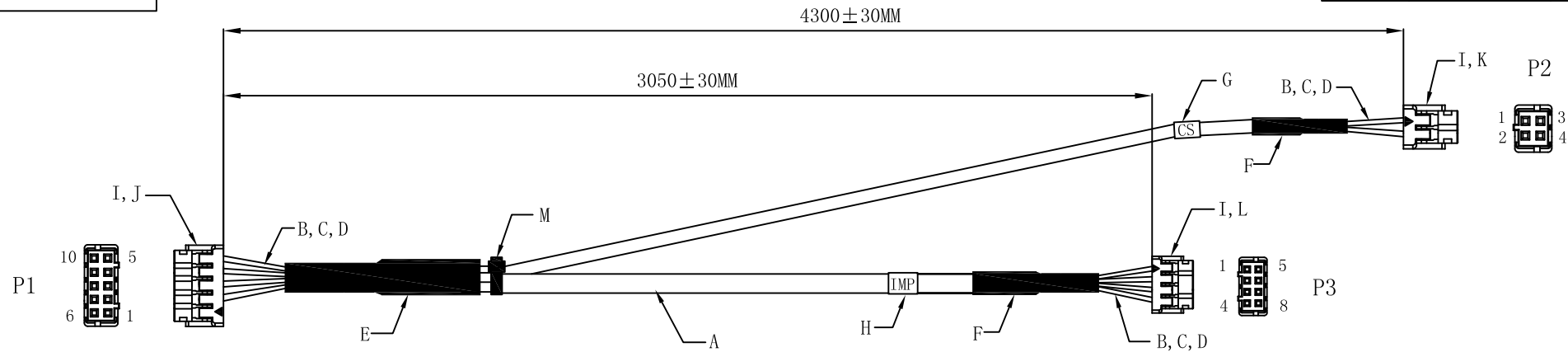


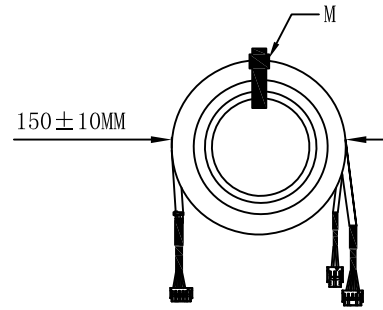
RoHS

Version No.	Modification	Date
A		



PIN WIRING

P1, 3	ORANGE	P3, 5
P1, 4	YELLOW	P3, 7
P1, 5	BLACK (C)	P3, 6 (BRAID+BLACK)
P1, 5	BLACK (C)	P2, 1 (BRAID+BLACK)
P1, 7	RED (B)	P3, 8 (RED+BROWN)
P1, 7	RED (B)	P2, 2 (RED+BROWN)
P1, 9	ORANGE	P2, 4
P1, 10	YELLOW	P2, 3



M	TIE	CABLE TIE BLACK	2PCS	
L	HOUSING	HRS DF11-2*4P (equivalent)A2211H-2*4P	1PCS	
K	HOUSING	HRS DF11-2*4P (equivalent)A2211H-2*2P	1PCS	
J	HOUSING	HRS DF11-2*5P (equivalent)A2211H-2*5P	1PCS	
I	TERMINAL	HRS DF11-T (equivalent)A2211-TPE	14PCS	
H	TUBE	HST 4.0 L=15 YELLOW GROUND BLACK CHARACTER (CS)	1PCS	
G	TUBE	HST 4.0 L=15 YELLOW GROUND BLACK CHARACTER (IMP)	1PCS	
F	TUBE	4.0 HEAT SHRINK TUBE COLOR BLACK L=45MM	2PCS	
E	TUBE	6.0 HEAT SHRINK TUBE COLOR BLACK L=65MM	1PCS	
D	TUBE	1.5 HEAT SHRINK TUBE COLOR BLACK L=10MM	6PCS	
C	WIRE	UL1007 24AWG (11/0.16TS) OD1.4 BLACK	3PCS	
B	WIRE	UL1007 24AWG (11/0.16TS) OD1.4 RED	3PCS	
A	CABLE	AS11/0.1*0.9 (PVC)*5C+F+SP (AS70/0.1) OD3.6 BLACK PVC	1PCS	
NO.	Product name	Specification	Q' TY	Remark



Ecocables Electronics Co.,Ltd
www.ecocables.net

Customer		Customer No.		Product name
Material name		Approved	Tim. Z	
Unit	Scale	Free	Checked	Daivd.L
mm		Drawn by	Percy.F	Revision date
				Jan 11, 2018