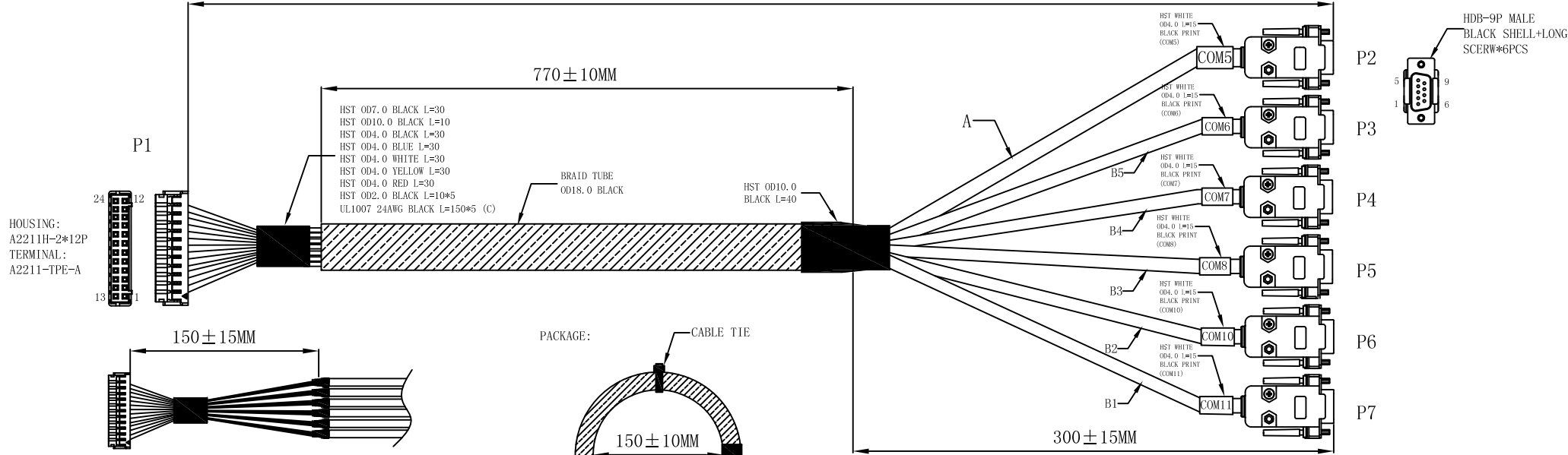


RoHS

Version No.	Modification	Date
A		


1100 ± 20MM



PIN WIRING			
COM11	P1, 1	BLACK (C), SPRIL (B1)	P7, 5
	P1, 2	RED (B1)	P7, 2
	P1, 3	WHITE (B1)	P7, 3
PIN WIRING			
COM10	P1, 4	BLACK (C), SPRIL (B2)	P6, 5
	P1, 5	RED (B2)	P6, 2
	P1, 6	WHITE (B2)	P6, 3
PIN WIRING			
COM8	P1, 7	BLACK (C), SPRIL (B3)	P5, 5
	P1, 8	RED (B3)	P5, 2
	P1, 9	WHITE (B3)	P5, 3
PIN WIRING			
COM7	P1, 13	BLACK (C), SPRIL (B4)	P4, 5
	P1, 14	RED (B4)	P4, 2
	P1, 15	WHITE (B4)	P4, 3
PIN WIRING			
COM6	P1, 16	BLACK (C), SPRIL (B5)	P3, 5
	P1, 17	RED (B5)	P3, 2
	P1, 18	WHITE (B5)	P3, 3

PIN WIRING			
P1, 10	BLUE (A)	P2, 4	
P1, 11	PINK (A)	P2, 9	
P1, 12	PURPLE (A)	P2, 6	
P1, 19	BLACK (A)	P2, 5	
P1, 20	WHITE (A)	P2, 1	
P1, 21	RED (A)	P2, 8	
P1, 22	ORANGE (A)	P2, 7	
P1, 23	BROWN (A)	P2, 2	
P1, 24	YELLOW (A)	P2, 3	

WIRE:
 A: TS7*0.19*1.1 (PVC)*9C+F+PA OD5.7 PVC BALCK
 B: AS14*0.16*1.25 (PVC)*2C+SP (TS60*0.1) OD4.0 PVC BLACK
 C: UL1007 24AWG (TS11*0.16*1.4) BLACK



Ecocables Electronics Co., Ltd

www.ecocables.net

Customer	Customer No.		Product name	
Material name	Approved		Tim. Z	
Unit	Scale	Free	Checked	Daivd.L
Drawn by			Drawn date	Sep 23, 2017