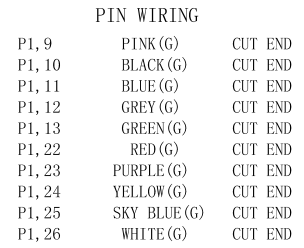
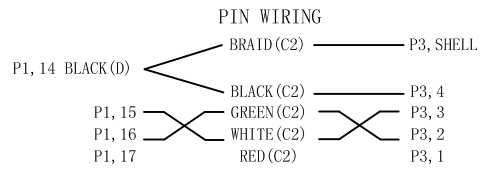
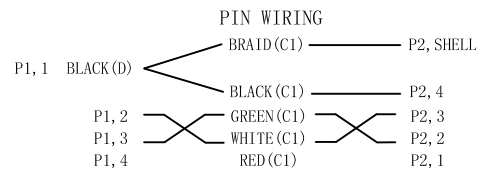
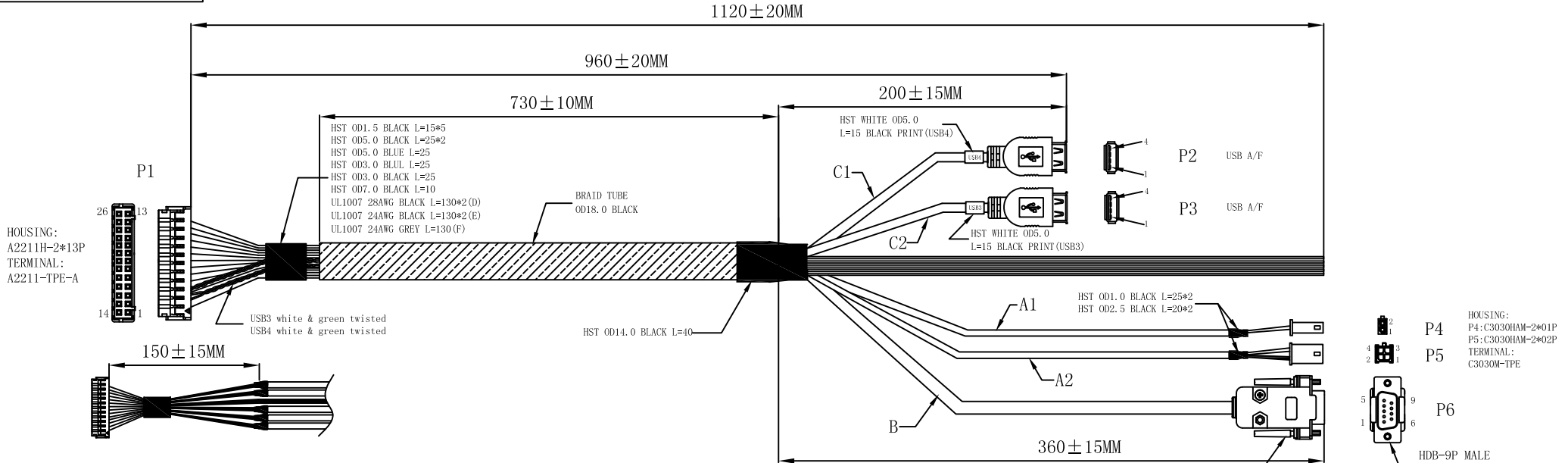


RoHS

Version No.	Modification	Date
A		



WIRE:
 A1, A2: UL1533 24AWG (TS7*0.2*1.1*1C+SP (TS35*0.1) OD2.2 PVC BLACK
 B: AS14*0.16*1.25 (PVC)*2C+SP (TS60*0.1) OD4.0 PVC BLACK
 C1, C2: UL2725 28AWG (TS7/0.127*0.9*1PR (HD-PE)+TS7/0.127*0.9*2C+AL+D (7/0.127)+B (TS16/4/0.1) OD4.0 BLACK
 D: UL1007 28AWG (TS7*0.127*1.2) BLACK
 E: UL1007 24AWG (TS11*0.16*1.4) BLACK
 F: UL1007 24AWG (TS11*0.16*1.4) GREY
 G: UL1061 24AWG (TS7*0.20*1.1) PINK, BLACK, BLUE, GREY, GREEN, RED, PURPLE, YELLOW, SKY BLUE, WHITE

Customer		Customer No.		Product name
Material name		Approved	Tim. Z	
Unit	Scale	Free	Checked	Daivd.L
mm		Drawn by	Percy.F	Revision date
				Drawn date
				Sep 23, 2017